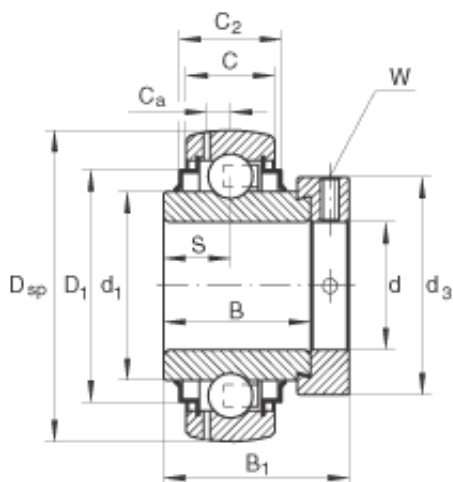




IOR Bearing Manufacturing Co.,Ltd



INA GE65-214-KRR-B deep groove ball bearings

Bearing No. GE65-214-KRR-B

GE65-214-KRR-B Bearing 2D drawings and 3D CAD models

Size	65x125x66 mm
Bore Diameter	65 mm
Outer Diameter	125 mm
Width	66 mm
d	65 mm
D _{SP}	125 mm
B ₁	66 mm
B	48,5 mm
C	28 mm
C ₂	32 mm
C _a	8,9 mm
D ₁	109 mm
d ₁	85,2 mm
d _{3 max}	96 mm
S	21,5 mm
W	6 mm
m	2,71 kg / Weight
C _r	66000 N / Dynamic load rating (radial)
C _{0r}	44000 N / Static load rating (radial)
Category	Insert Bearings Spherical OD
Inventory	0.0
Manufacturer Name	SCHAEFFLER GROUP



IOR Bearing Manufacturing Co.,Ltd

Minimum Buy Quantity	N/A
Weight / Kilogram	3.248
Product Group	M06110
Inner Race Profile	Wide Inner Ring
Outer Race Profile	Spherical
Relubricatable	Yes
Seal Type	Double Land Riding Rubber Contact
Mounting Method	Eccentric Collar
Rolling Element	Ball Bearing
Snap Ring	No
Long Description	65MM Bore; Wide Inner Ring; Ball Bearing; 66.1MM Length Thru Bore; 28MM Outer Race Width; 125MM Outside Diameter; Relubricatable; Double Land Riding Rubber Contact Seal; Eccentric Collar Mounting Meth
Inch - Metric	Metric
Other Features	Single Row With Set Screw Metric
Category	Insert Bearings
UNSPSC	31171536
Harmonized Tariff Code	8482.10.50.00
Noun	Bearing
Keyword String	Insert
Manufacturer URL	http://www.ina.com
Manufacturer Item Number	GE65KRRB
Weight / LBS	5.98
Bore	2.559 Inch 65 Millimeter
Length Thru Bore	2.602 Inch 66.1 Millimeter
Outside Diameter	4.921 Inch 125 Millimeter
Outer Race Width	1.102 Inch 28 Millimeter



IOR Bearing Manufacturing Co.,Ltd