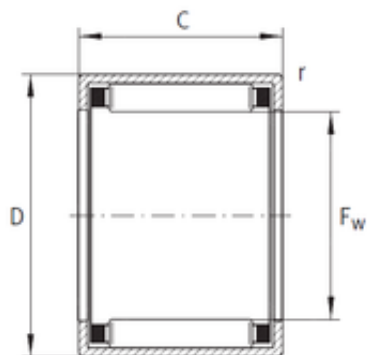




# IOR Bearing Manufacturing Co.,Ltd

## INA SCE34TN needle roller bearings



Bearing No. SCE34TN

Size	4.762x8.731x6.35 mm
Bore Diameter	4,762 mm
Outer Diameter	8,731 mm
Width	6,35 mm
Fw	4,762 mm
D	8,731 mm
C	6,35 mm
Weight	0,001 Kg
Basic dynamic load rating (C)	1,79 kN
Basic static load rating (C0)	1,36 kN

SCE34TN Bearing 2D drawings and 3D CAD models