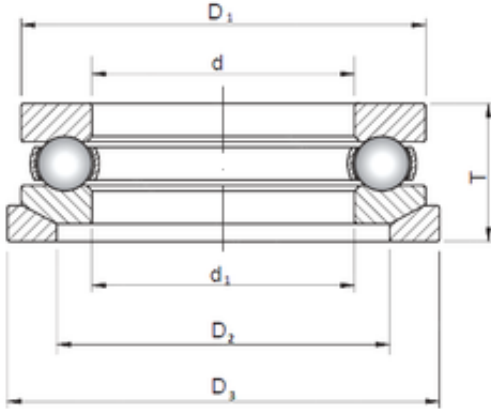




IOR Bearing Manufacturing Co.,Ltd

ISO 53334U+U334 thrust ball bearings

Bearing No. 53334U+U334



Bore Diameter	170 mm
Outer Diameter	275 mm
d	170 mm
d1	174 mm
D	275 mm
D1	280 mm
T	100 mm
D2	220 mm
D3	290 mm

53334U+U334 Bearing 2D drawings and 3D CAD models