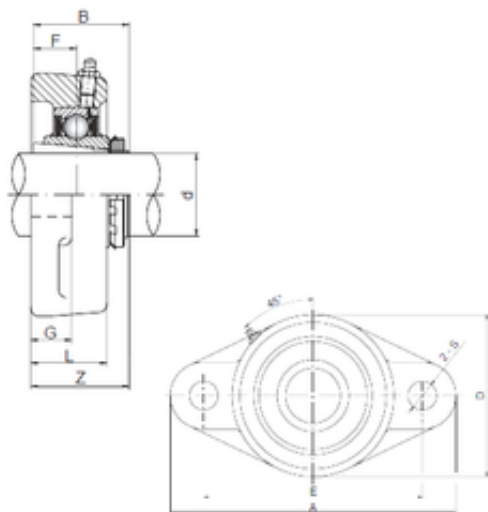




IOR Bearing Manufacturing Co.,Ltd



ISO UKFL213 bearing units

Bearing No. UKFL213

Bore Diameter	60 mm
Width	65 mm
d	60 mm
Z	64 mm
A	258 mm
B	65 mm
D	155 mm
E	210 mm
F	30 mm
G	22 mm
L	50 mm
S	23 mm
Bolt (G)	M20

UKFL213 Bearing 2D drawings and 3D CAD models