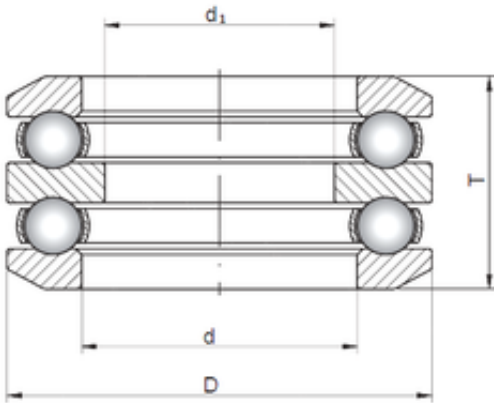




IOR Bearing Manufacturing Co.,Ltd

ISO 54208 thrust ball bearings



Bearing No. 54208

Size	42x68x38.6 mm
Bore Diameter	42 mm
Outer Diameter	68 mm
Width	38,6 mm
d	42 mm
d1	30 mm
D	68 mm
T	38,6 mm

54208 Bearing 2D drawings and 3D CAD models