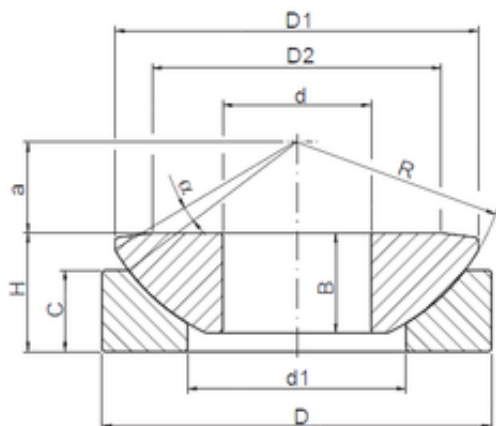




# IOR Bearing Manufacturing Co.,Ltd

## ISO GE15AW plain bearings

Bearing No. GE15AW



GE15AW Bearing 2D drawings and 3D CAD models

Size	15x42x15 mm
Bore Diameter	15 mm
Outer Diameter	42 mm
Width	15 mm
d	15 mm
D	42 mm
H	15 mm
a	10 mm
d1	24 mm
B	10,7 mm
C	11 mm
D1	38,9 mm
D2	29 mm
R	45 mm
Angle	7 °